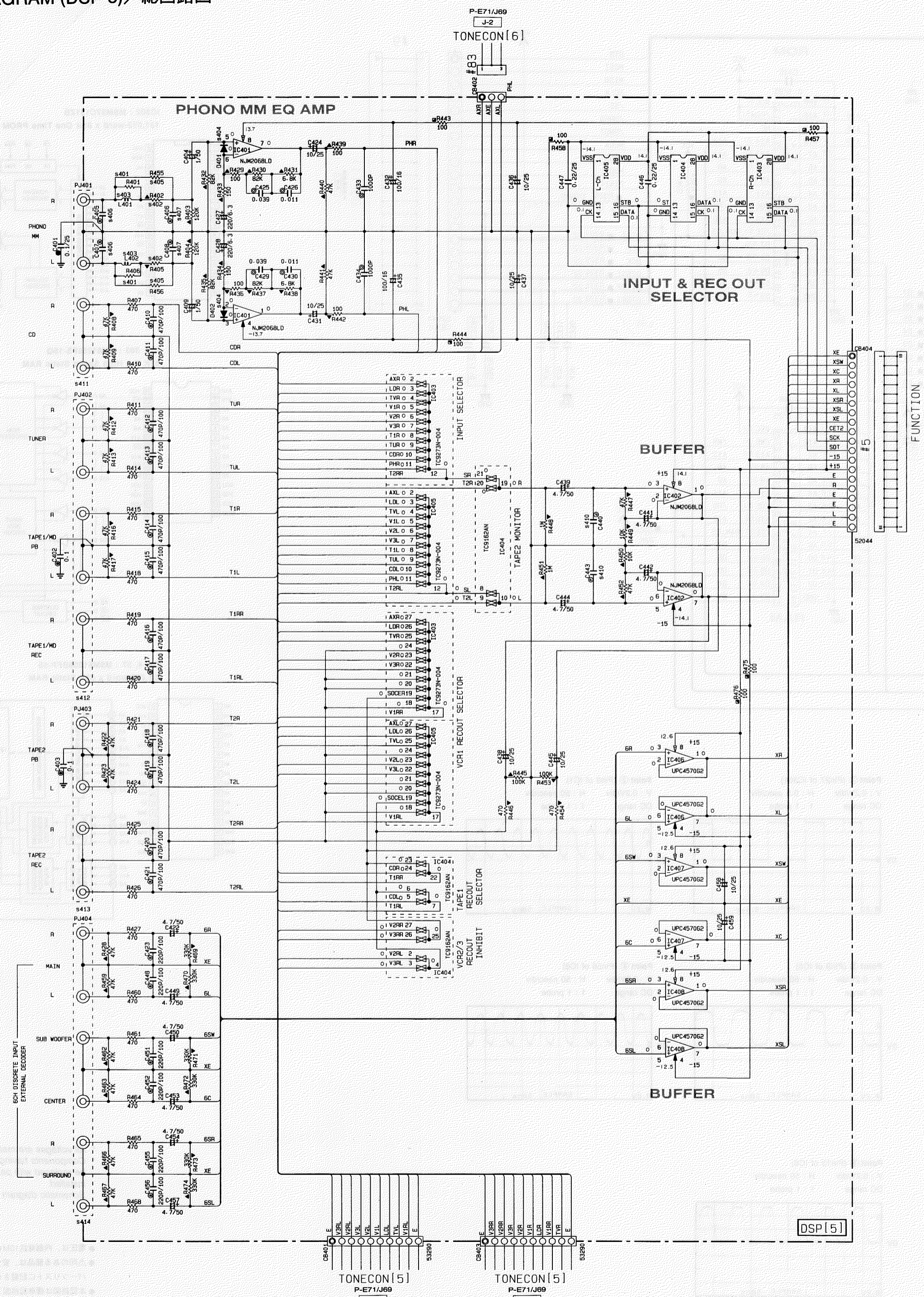


SCHEMATIC DIAGRAM (DSP-5) / 総回路図



CIRCUIT CHANGES BY MARKET. X: NOT USED

S	Parts Number	J	U. C. R. T	A. B. S
401	R401-405	X	X	2.2K
402	R402-405	X	X	47
403	L401-402	X	X	220µH
404	D401-402	X	X	1SS133-HSS104TD
405	R455-456	47	47	X
406	C405-407	100P/100	100P/100	UP65210
407	C406-408	220P/100	220P/100	UP65222
408				390P/100
409				UP65238
410	C440-443	100P/100	100P/100	220P/100
411	PJ401	VK42170	VK42160	VK42160
412	PJ402	VU14470	VW50660	VW50660
413	PJ403	VK17740	VJ69630	VJ69630
414	PJ404	VZ72610	VV57780	VV57780
415				
416				
417				
418				
419				
420				
421				
PWB	XU33B	XU33B	XU33B	XU33B
PCB	VZ80160	VZ80170	VZ80180	VZ80180

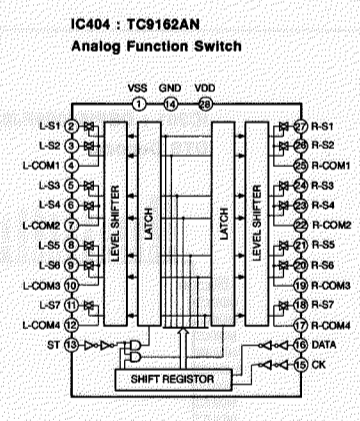
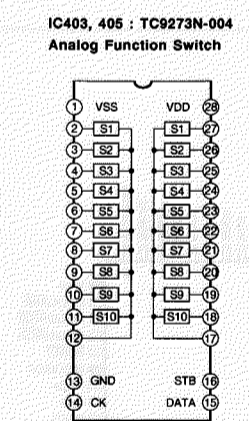
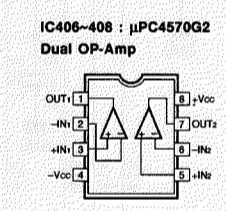
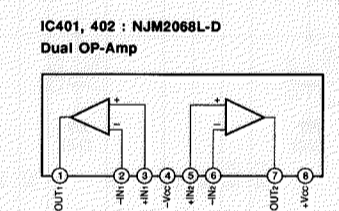
RESISTOR

REMARKS	PARTS NAME
NO MARK	CARBON FILM RESISTOR (P=5)
□	CARBON FILM RESISTOR (P=10)
△	METAL OXIDE FILM RESISTOR
⊠	METAL FILM RESISTOR
⊞	METAL PLATE RESISTOR
⊞	FIRE PROOF CARBON FILM RESISTOR
⊞	CEMENT MOLDED RESISTOR
⊞	SEMI VARIABLE RESISTOR
■	CHIP RESISTOR

CAPACITOR

REMARKS	PARTS NAME
NO MARK	ELECTROLYTIC CAPACITOR
□	TANTALUM CAPACITOR
NO MARK	CERAMIC CAPACITOR
○	CERAMIC TUBULAR CAPACITOR
○	POLYESTER FILM CAPACITOR
○	POLYSTYRENE FILM CAPACITOR
○	MICA CAPACITOR
○	POLYPROPYLENE FILM CAPACITOR
○	SEMICONDUCTIVE CERAMIC CAPACITOR
○	POLYPHENYLENE SULFIDE FILM CAPACITOR

NOTICE (mode1)
 (J)..... JAPANESE
 (U)..... U. S. A
 (C)..... CANADIAN
 (R)..... GENERAL
 (A)..... AUSTRALIAN
 (B)..... BRITISH
 (G)..... EUROPEAN
 (T)..... CHINA
 (L)..... SINGAPORE



All voltages are measured with a 10MΩ/DC electric volt meter.
 Components having special characteristics are marked △ and must be replaced with parts having specifications equal to those originally installed.
 Schematic diagram is subject to change without notice.

●電圧は、内部抵抗10MΩの電圧計で測定したものです。
 ●△印のある部品は、安全性確保部品を示しています。部品の交換が必要な場合、パーツリストに記載されている部品を使用してください。
 ●本回路図は標準回路図です。改良のため予告なく変更することがございます。